

Hand pump type H, HE and HD

Hand pumps are a type of hydraulic pump. They generate a volumetric flow manually. The hand pump type H and HE is single-acting. It draws in oil in one direction and pumps it in the opposite direction. The hand pump type HD is double-acting. It pumps and draws in the same quantity of oil in the pressure line during the forward and backward movement of the hand lever. The hand pump type H, HE and HD is available for pipe connection and manifold mounting.

The hand pump is particularly suitable as an emergency pump or for test benches.

Features and benefits:

- Sturdy design
- Hand pumps with integrated tank
- Safety and drain valve

Intended applications:

- Shipbuilding
- Mining machinery
- Fixture construction
- Testing and laboratory equipment



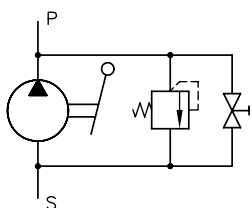
Nomenclature:	Piston pump
Design:	Single acting hand pump Double acting hand pump
p_{max}:	150 ... 800 bar
V_{max}:	4 ... 64 cm ³ /stroke

Design and order coding example

HD 13	AS	- K 0,5	- 110
		Pressure setting (bar)	
		With/without tank	Usable volume V _{use} . 0,35 l and 0,5 l
		Additional elements	<ul style="list-style-type: none"> ▪ Drain valve (A) ▪ Pressure limiting valve (tool or manually adjustable) (S)
Basic type, size	Type H (single-acting, open design), Type HE (single-acting, encapsulated design) Type HD (double-acting, encapsulated design)		
	<ul style="list-style-type: none"> ▪ With/without pressure resistant suction port ▪ Versions for manifold mounting 		

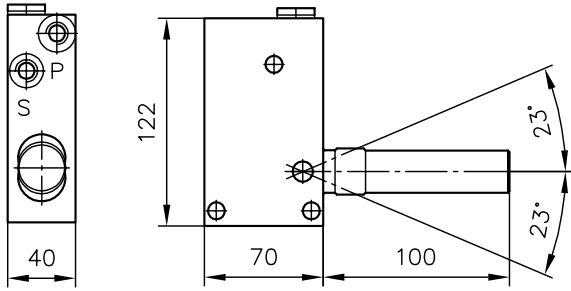
Function

Design with pressure limiting valve and drain valve

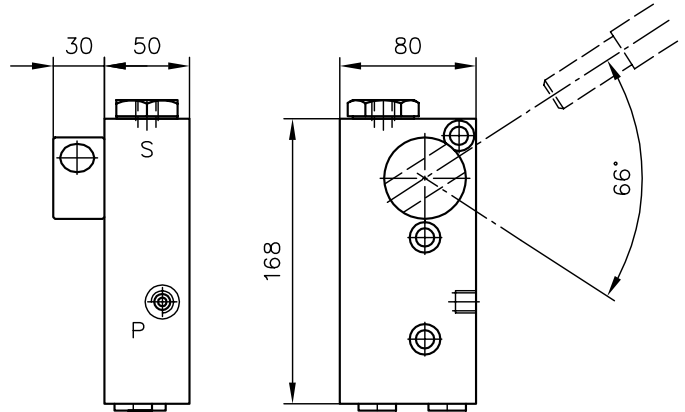


General parameters and dimensions

H..



HE.. and HD..



	p _{max} [bar]	V _{max} [cm ³ /stroke]	Tapped ports (BSPP)		m [kg]
			P	S	
H 16	350	6	G 1/4	G 1/4	3.1
H 20	220	9.4			
H 25	150	14.7			
HE 3	800	3	G 1/4	G 1/4 and G 3/8	4.8
HE 3	800	3			
HD 13	350	13			
HD 20	220	20			
HD 30	150	30			

Associated technical data sheets::

- Manual pump type H, HD and HE: D 7147/1