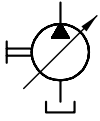
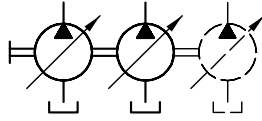


Function

Single pump



Multiple pump



Controller

Pressure controller:

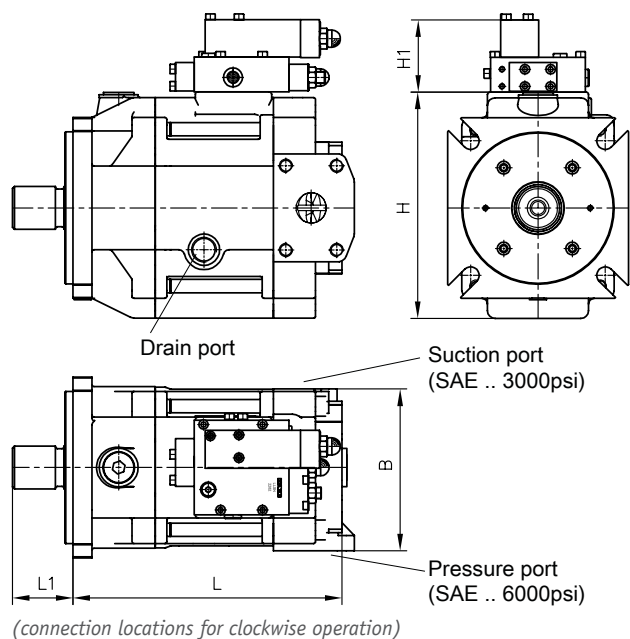
- Pressure controller (P, Pb)
- Electro-proportional pressure controller (P-PMVPS)

Delivery flow controller

- Load-sensing controller with integrated pressure limitation (LSP, LSPb)
- Load-sensing controller with integrated pressure limitation and electrical pump direction switching (LSP-BVPM)
- Electro-hydraulic delivery flow controller with integrated pivoting angle pick-up and control electronics for adjustment of setpoint and actual value (EM.CH)

Power controller:

- Power controller (L)
- Power controller (Lf, Lf1)

General parameters and dimensions

Parameters

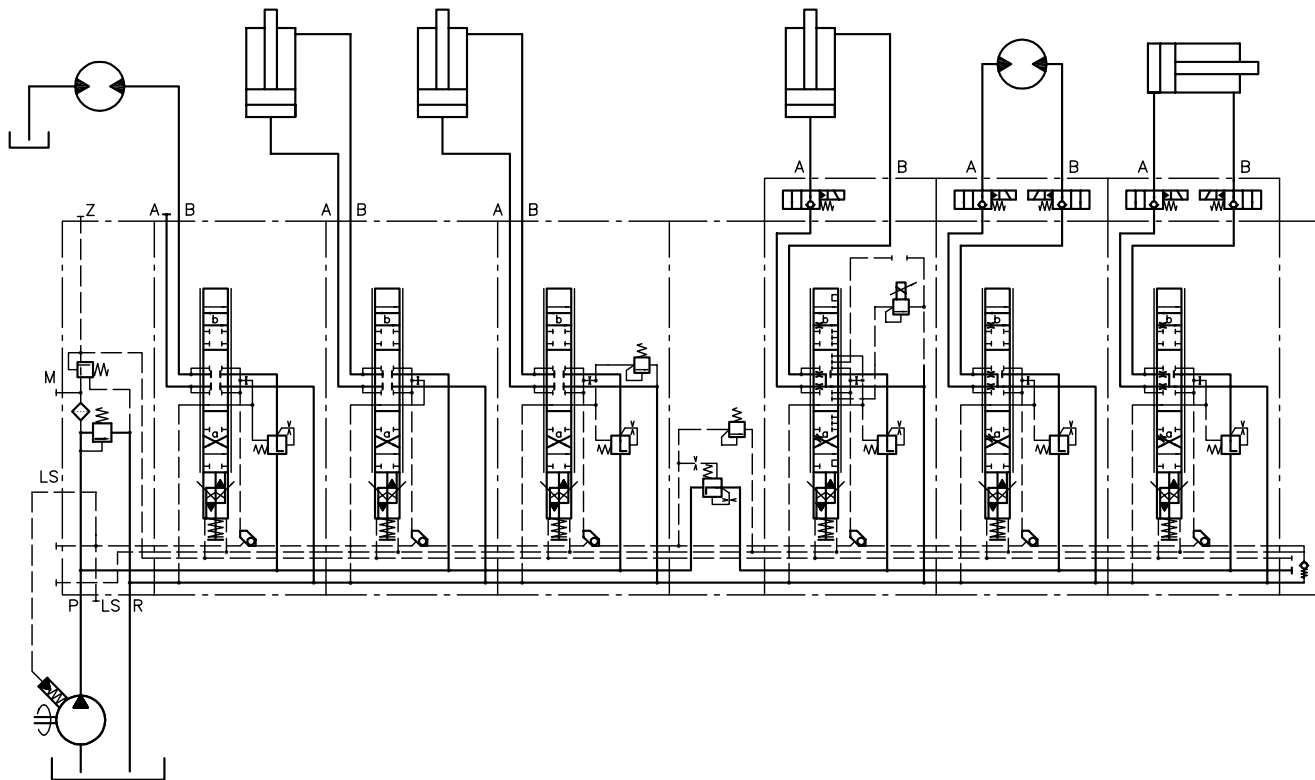
	Geom. output volume	Nom. pressure	Max. speed	Dimensions [mm] approx.					m [kg]
	V_g [cm ³ /rev]	p_{nom} (p_{max}) [bar]	n [rpm]	L	L1	H	H1	B	(with controller)
V30E - 095	95	350 (420)	2500	296	75	236	36	190	57
V30E - 160	160		2100	332	75	273	36	212	77
V30E - 270	270		1800	399	88	326	36	266	129

Ports

	Pressure port	Suction port	Drain port
V30E - 095	1 1/4" SAE J518	2 1/2" SAE J518	G 3/4
V30E - 160	1 1/4" SAE J518	2 1/2" SAE J518	G 3/4
V30E - 270	1 1/2" SAE J518	3" SAE J518	G 1

Example circuit:

V30E-270-LSF N-2-1/03-LSN-320



Associated technical data sheets:

- Variable displacement axial piston pump type V30E: [D 7960 E](#)

Similar products:

- Variable displacement axial piston pump type V30D: [D 7960](#)
- Variable displacement axial piston pump type V40M: [D 7961](#)
- Variable displacement axial piston pump type V60N: [D 7960 N](#)
- Variable displacement axial piston pump type V60N: [D 7960 N](#)
- Fixed displacement axial piston pump type K60N: [D 7960 K](#)
- Variable displacement axial piston pump V80M: [D 7962 M](#)

Suitable proportional directional spool valve:

- Types PSL/PSV sizes 2, 3 and 5: [D 7700-2](#), [D 7700-3](#), [D 7700-5](#)
- Type PSLF/PSVF sizes 3, 5 and 7: [D 7700-5](#), [D 7700-5E](#), [D 7700-7F](#)

Suitable accessories:

- Proportional amplifier type EV1M3: [D 7831/2](#)
- Programmable logic valve control type PLVC: [D 7845-21](#), [D 7845-41](#), [D 7845 M](#)